

GENERAL INSTRUCTIONS

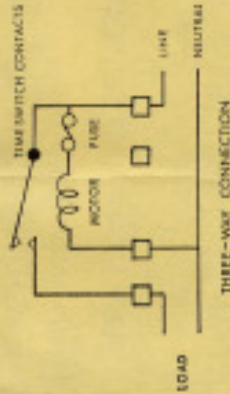
TO REMOVE FROM CASE.

(a) **Plastic case C-173.** Remove any wire seals from side lugs. The transparent front cover is then removed by simple pulling it away from the black bakelite base. Remove switch mechanism by grasping the knurled dial nut (1) and the base of the manual knob on switchgear (2), firmly but gently easing forward from bakelite base.

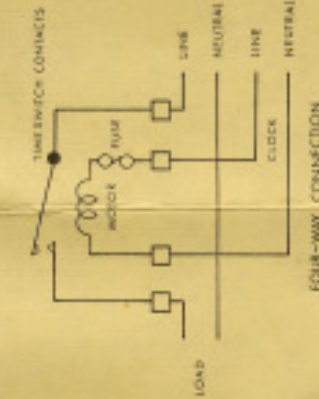
(b) **Metal case C-151.**

Remove any wire seal from top lugs. The bottom hinged front lid is then opened by simply pulling it forward.

CONNECTION TO SUPPLY. Ascertain that supply voltage and load conform to details shown on switch label, and connect as shown in diagram below. The switchgear base is wired internally for either three-way connection, one terminal common to both motor and contacts, or four-way providing a separate connection for the motor. (See wiring diagram in case).



3



FOUR-WAY CONNECTION

FUSE IN SYNCHRONOUS MOTOR CIRCUIT.

This is located on the underside of switch base adjacent to terminal plug. To replace fuse, slacken off screw, swing clip clear and remove fuse. After replacement see that the clip is over the fuse and that the screw is secure. (*Fuse VENNOR Ref. Z6846 3-000y*) (*Fuse VENNOR Ref. Z19831 4-000y*).

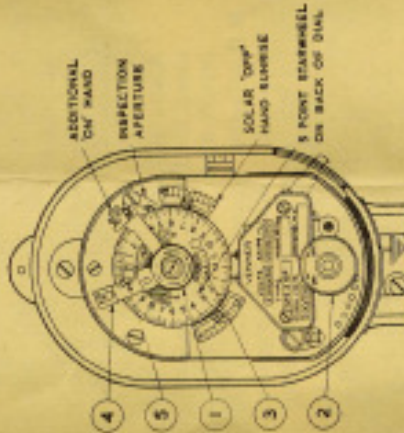
TO REPLACE IN CASE. The switch mechanism must be pushed right home into the terminal block. With the C-173 plastic case make sure that the retaining pins behind the clock enter the clips in the back of the bakelite base. With the C-151 metal box the switch mechanism is retained by the clip which operates when the lid is closed.

MANUAL OPERATION DEVICE

—ON and OFF. To switch ON and OFF manually a knurled knob (2) is provided in the centre of the switchgear. To switch ON or OFF turn in direction

of corresponding arrow and release. When arranged for external control this can be operated (a) through front cover of the C-173 plastic box by the moulded rubber extension piece which is pressed on to the knurled knob, or (b) by the lever extended through the side of the C-151 metal box.

TO REMOVE DIAL. Turn dial in anti-clockwise direction until hands are clear of switch mechanism and shield. Unscrew and remove milled nut (1), then by holding the edge of the dial, ease it forward off the centre spindle.



TO REPLACE DIAL. Always see that it is correctly seated on clock spindle shoulder before tightening down milled nut (1). Finger-tight is sufficient.

THE SOLAR DIAL

TO SET. With dial removed, rotate the 5-point star wheel fitted at the back, until the calendar dial (3) is indicating the day of the month.

VARIATION ON NORMAL SOLAR TIMES. If desired, the normal sunrise or sunset times can be advanced or retarded by moving the pins round the annular slot in the direction indicated by A for advance and R for retard. Each division represents a quarter-hour.

EXTRA OPERATIONS. An additional LATE OFF switching between the hours of 11 p.m. and 1.0 a.m. is obtainable by the hand (4) marked OFF. This hand is positioned by inserting the pin (5) in the appropriate tapped hole in the dial.

If the extra OFF operation is not required, the hand should be removed.

When the solar dial is set to obtain early morning lighting (type MSA.SP) the early morning ON switching is automatically omitted during the summer months when sunrise occurs less than 20 minutes after the time at which the dial has been set to switch ON.

The early morning ON hand is adjustable between 4 a.m. and 7 a.m., and is positioned by the slotted segment behind the dial. The two holdingscrews should be slackened and the segment adjusted

5